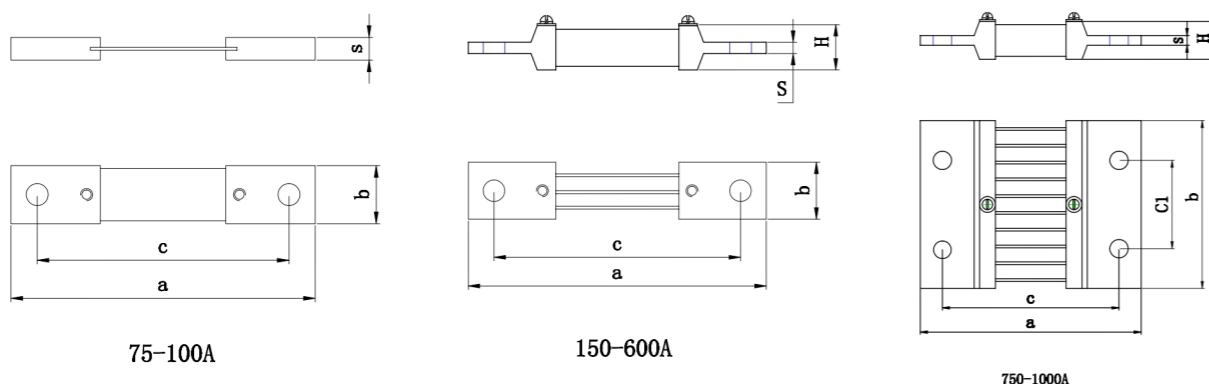
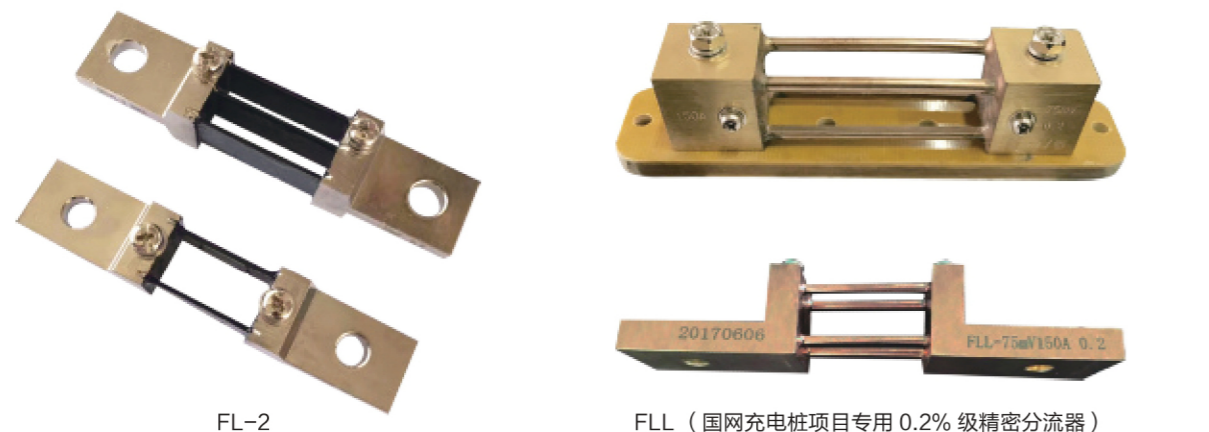


## FL-2/FLL 型大电流精密分流器 50-10000A

FL-2/FLL Large Current Precision Shunts 50-10000A

## FL-2/FLL 型大电流精密分流器 50-10000A

FL-2/FLL Large Current Precision Shunts 50-10000A



### 产品特点 Features

- 高温负荷特性优良  
Excellent high temperature load performance
- 可提供安装套件 (选购件)  
Assembly and fittings (available)
- 高过载能力  
High over loading ability
- 尺寸可按照客户需求定制  
The size can be customized according to the customer

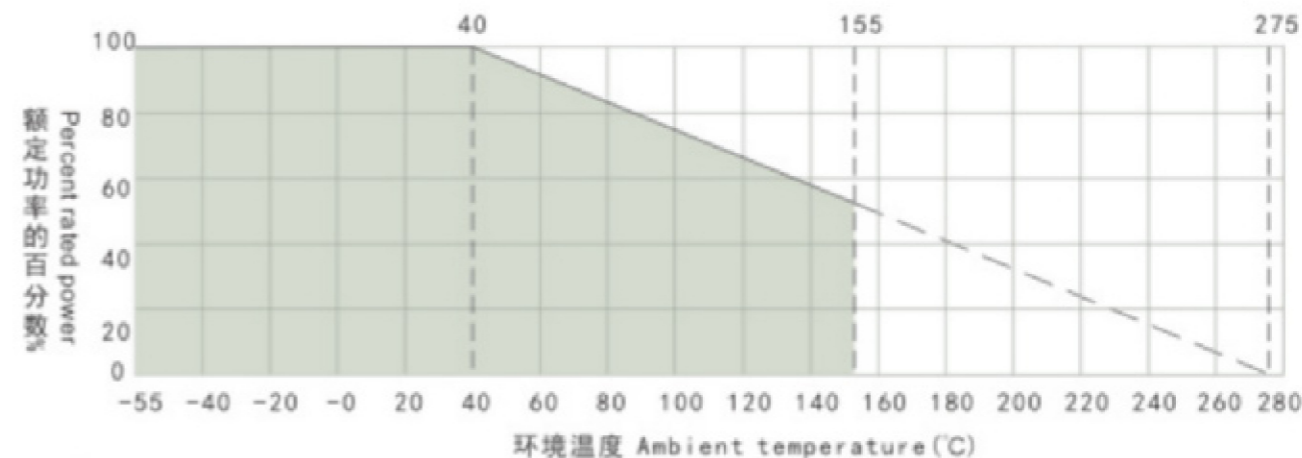
### 应用范围 Applications

- 电力分配, 负荷测试  
Electric power distribution, load test
- 用于电源等回路的限流、均流或取样检测  
Applied for current limited current balance or sampling for testing
- 广泛应用于通信电源、直流充电桩、直流电能表、新能源汽车电池管理系统 BMS 行业  
Widely used in communication power, DC charging pile, DC energy meter, new energy vehicle battery management system and BMS industry

### 订货示例 How to order

产品型号 Type	额定电压降 Rated voltage drop	额定电流 Rated current	精度 Tolerance
FL-2/FLL	75mV	200A	±0.2%

### 降功耗曲线 Derating curve



### 主要性能技术指标 Main specification

产品型号 Type	额定电流 (A) Rated current	外形尺寸 Dimensions(mm)							电流螺丝钉 (mm)	电位螺丝钉 (mm)
		a	c	b	C1	C2	H	S		
FL-2	50/75/100	103	85	32	-	-	22	10	M8*35-2	M5*6-2/M5*9-2
	150/200	115	85	22	-	-	22	6	M8*35-2	
	250/300	125	100	26	-	-	22	6	M10*35-2	
	400	125	100	38	-	-	22	6	M10*35-2	
	500	125	100	45	-	-	22	6	M10*35-2	
	750	125	100	76	50	-	22	6	M10*35-4	
	1000	125	100	95	50	-	22	6	M10*35-4	
	1500/2000	190	160	95	50	-	100	13	M12*60-4	
	2500	190	160	110	50	-	100	13	M12*60-4	
	3000	190	160	145	2-50	-	100	13	M12*60-6	
	4000	190	160	195	2-50	55	100	13	M16*80-8	
	5000	284	220	195	2-50	55	150	18	M16*80-8	
	6000	284	220	210	2-50	80	150	18	M16*80-8	
7500	290	220	320	3-50	2-60	150	18	M16*80-12		
10000	290	220	400	3-50	2-90	150	18	M16*80-12		